

Visions Systems

Industrial Cameras

Industrial cameras for complete Robot Vision integration.

- High performance industrial cameras that seamlessly communicate with robots and the control environment.
- Cameras include the latest CMOS sensor technology for use in automated processes.
- Well-suited to a wide range of robotics applications with high image quality, high frame rates, and compact design.
- Compatible with all 35+ powerful tools in the Automation Control Environment (ACE) Software for vision guidance and inspection.



Basler



Sentech

Ordering Information

Manufacturer	Part Number	Pixels (HxV)	Shutter	
Sentech	STC-MBS43POE	720 x 540	Global	
	STC-MCS43POE			
	STC-MBE132POE	1280 x 1024		
	STC-MCE132POE			
	STC-MBS163POE	1440 x 1088		
	STC-MCS163POE			
	STC-MBS202POE	1626 x 1240		
	STC-MCS202POE			
	STC-MBS312POE	2048 x 1536		
	STC-MCS312POE			
	STC-MBS500POE	2448 x 2048		
	STC-MCS500POE			
	STC-MBA503POE-HS	2592 x 1944		Rolling
	STC-MCA503POE-HS			
STC-MBS1242POE	4000 x 3000			
STC-MCS1242POE				
Basler*	24114-250*	1602 x 1202	Rolling/Global	
	24114-251*	1600 x 1200		
	24114-300*	2048 x 2048	Global	
	24114-301*	2046 x 2046		

*The Omron, Basler part numbers include the following bundled accessories: tripod mount, 10m Ethernet cable, and 10m power I/O cable.

Accessories

Item	Camera Compatibility	Description	Part Number
Power I/O cable	Basler models	10 m Power-I/O Cable with HRS 6p connector and open end.	09454-610
Cat6 Camera Cable	Basler models	10 m GigE Cat6 cable with RJ45 plug and Mod RJ45 with Horizontal Screw Lock connector.	18472-000
Camera Tripod Mount	Basler models	Adapter plate for attaching camera to user-supplied tripod.	14308-000
Power I/O cable	Sentech models	10 m Power-I/O Cable with HR10A-7P connector and open end.	21942-000
Cat5e Camera Cable	Sentech models	10 m GigE CAT5e cable with RJ45 plug and Mod RJ45 with Horizontal Screw Lock connector.	21943-000
Camera Tripod Mount	Sentech Models	Adapter plate for attaching camera to user-supplied tripod.	21941-000

Industrial Cameras

Specifications

Sentech Camera Specifications

Part Number	STC-MBS43-POE / STC-MCS43POE	STC-MBE132-POE/STC-MCE132POE	STC-MBS163-POE/STC-MCS163POE	STC-MBS202-POE/STC-MCS202POE	STC-MBS312-POE/STC-MCS312POE	STC-MBS500-POE/STC-MBCS500POE	STC-MBA503-POE-HS/STC-MCA503-POE-HS	STC-MBS1242-POE/STC-MCS1242POE
Image Sensor	IMX287	EV76C560	IMX273	IMX430	IMX265	MX264	AR0521	IMX226
Sensor Size (in)	1/2.9	1/1.8	1/2.9	1/1.7	1/1.8	2/3	1/2.5	1/1.7
Cell Size (µm)	6.9 x 6.9	5.3 x 5.3	3.45 x 3.45	4.5 x 4.5	3.45 x 3.45	3.45 x 3.45	2.2 x 2.2	1.85 x 1.85
Exposure Time	1 µs to 16.777 seconds (Default: 3,425 µs)	10 µs to 1.0300 seconds (Default: 16,379 µs)	1 µs to 16.777 seconds (Default: 13,936 µs)	1 µs to 16.777 seconds (Default: 18,166 µs)	1 µs to 16.777 seconds (Default: 28,404 µs)	1 µs to 16.777 seconds (Default: 45,345 µs)	20.2 µs to 1.323 seconds (Default: 45,696.9 µs)	213 µs to 16.777 seconds (Default: 107,488 µs)
Interface	PoE: IEEE802.3af CLASS2 (1000BASE-T)							
Protocol	GigE Vision 2.1 and GenICam SFNC 2.4, IEEE1588 (PTP)							
I/O	One opto-isolated input, one opto-isolated output, and one open collector GPIO (input or output)							
Power Input Voltage^{*1}	+10.8 to +26.4 VDC external power (via power/I/O connector) / Power Over Ethernet (IEEE802.3af)							
Power Consumption	+12 V / +24 V: 3.7 W / PoE: 4.7 W	+12 V / +24 V: 3.1 W / PoE: 3.7 W	+12 V / +24 V: 3.7 W / PoE: 4.7 W	+12 V / +24 V: 4.0 W / PoE: 4.9 W	+12 V / +24 V: 3.5 W / PoE: 4.4 W	+12 V / +24 V: 3.6 W / PoE: 4.4 W	+12 V / +24 V: 3.0 W / PoE: 3.6 W	+12 V / +24 V: 3.4 W / PoE: 4.1 W
Dimensions^{*2}	29 (W) x 29 (H) x 53 (D) mm							
Lens Mount	C Mount							
Interface Connectors	Ethernet connector: RJ45 connector; Power/I/O connector: HR10A-7R-6PB (Hirose) or equivalent							
Weight	65 g	63 g	65 g	65 g	65 g	65 g	62 g	65 g
Minimum Operational Temperature/ Humidity	0° C / 20% RH non-condensing							
Maximum Operational Temperature/ Humidity^{*3}	+39° C / 85% RH non-condensing	+35° C / 85% RH non-condensing	+39° C / 85% RH non-condensing	+36° C / 85% RH non-condensing	+39° C / 85% RH non-condensing	+40° C / 85% RH non-condensing	+36° C / 85% RH non-condensing	+40° C / 85% RH non-condensing
Storage Temperature/ Humidity	-20° – 70° C, 20 – 85% RH non-condensing	-20° – 75° C, 20 – 85% RH non-condensing	-20° – 70° C, 20 – 85% RH non-condensing	-20° – 70° C, 20 – 85% RH non-condensing	-20° – 70° C, 20 – 85% RH non-condensing	-20° – 70° C, 20 – 85% RH non-condensing	-20° – 70° C, 20 – 85% RH non-condensing	-20° – 70° C, 20 – 85% RH non-condensing
Vibration	20 Hz to 200 Hz to 20 Hz (5 min. / cycle), acceleration 10 G, XYZ 3 directions, 30 min. each							
Shock	Acceleration 38 G, half amplitude 6 ms, XYZ 3 directions, 3 times each							
Standard Compliancy	EMS: EN61000-6-2, EMI: EN55011							
RoHS	RoHS Compliant							

*1 When an external power supply and Power over Ethernet (PoE) are both supplied to the camera at the same time, the camera defaults to the external power supply.

*2 Dimensions exclude the connectors at the rear of the camera.

*3 Ensure the camera is installed with the appropriate heat dissipation. A mounted lens and a tripod with an aluminum plate can decrease the camera housing temperature for heat dissipation. When the internal temperature sensor on the camera shows less than 65° C, the camera housing temperature (top plate) will be less than 57° C.

Specifications

Basler Camera Specifications

Part Number	24114-250	24114-251	24114-300	24114-301
Image Sensor	EV76C570		CMV4000	
Sensor Size	1/1.8		1	
Cell Size (µm)	4.5 x 4.5		5.5 x 5.5	
Exposure Time	10/35µs (global/rolling) - 840000µs		24µs - 10000000µs	
Interface	Fast Ethernet (100 Mbit/s) Gigabit Ethernet (1000 Mbit/s)			
Protocol	GigEVision 1.x, SFNC 1.x			
I/O	1 Opto-coupled input line and 1 Opto-coupled output line			
Power Input Voltage	12 VDC (10.8 VDC minimum, 13.2 VDC maximum), includes <1% ripple.			
Power Consumption	PoE: 2.7 W / 12 VDC: 2.1 W		PoE: 3.1 W / 12 VDC: 2.6 W	
Dimensions*1	42.0 x 29 x 29 CS Mount / 54.0 x 29 x 29 C Mount			
Lens Mount	C Mount	C mount / CS mount	C Mount	C Mount
Interface Connectors	Ethernet connector: RJ45 connector; Power/IO connector: HR10A-7R-6PB (Hirose) or equivalent			
Weight	<90 g			
Minimum Operational Temperature/Humidity	0° C / 20%, RH non-condensing			
Maximum Operational Temperature/Humidity	50° C / 80%, RH non-condensing			
Storage Temperature/Humidity	-20–80° C / 20–80 %, RH non-condensing			
Vibration	Sine (each axis): 10–58 Hz / 1.5 mm; 58–500 Hz / 20 g; 1 Octave/Minute, 10 repetitions / Random (each axis): 15-500 Hz / 0.05 PSD (ESS standard profile) / 00:30 h			
Shock	20 g / 11 ms / 100 shocks positive; 20 g / 11 ms / 100 shocks negative			
Standard Compliancy	CE, EAC, UL Listed, FCC, GenlCam, GigE Vision, IP30, IEEE 802.3af (PoE), REACH, KC			
RoHS	RoHS Compliant			

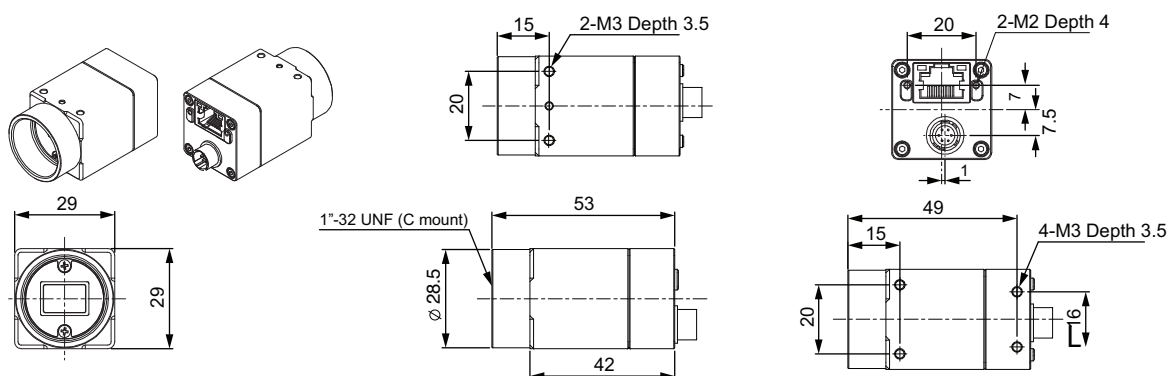
*1 Dimensions exclude the connectors at the rear of the camera.

Industrial Cameras

Camera Dimensions

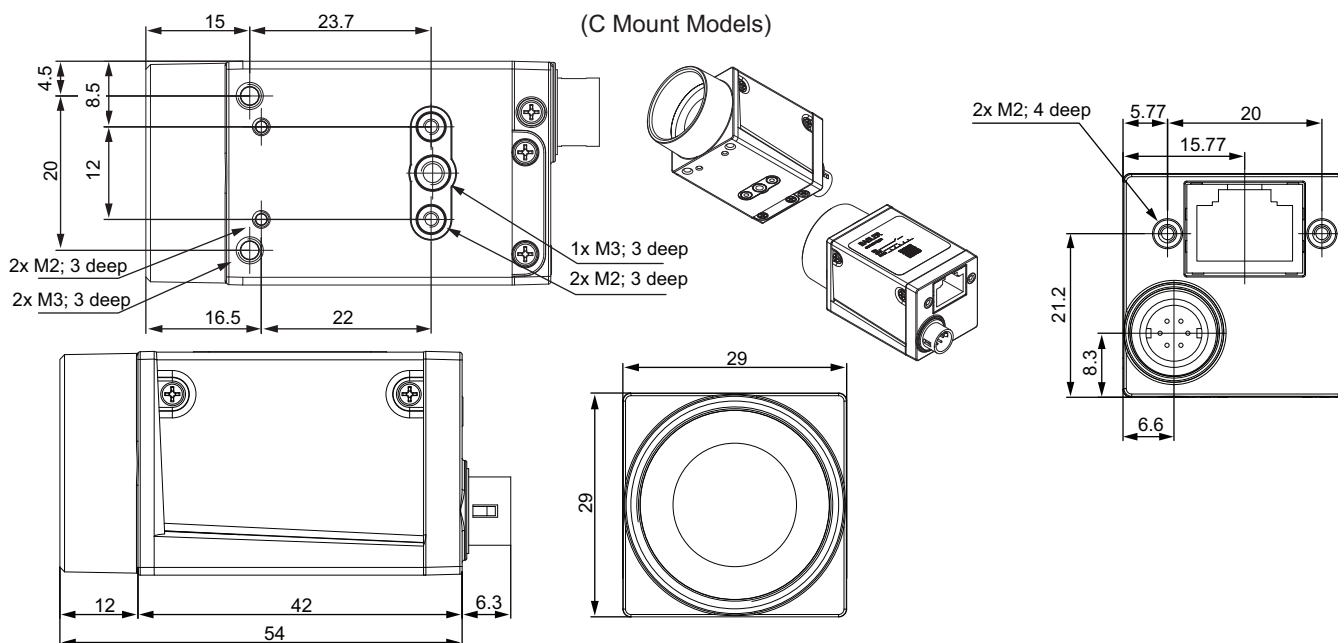
(Unit: mm unless otherwise noted)

Sentech Models

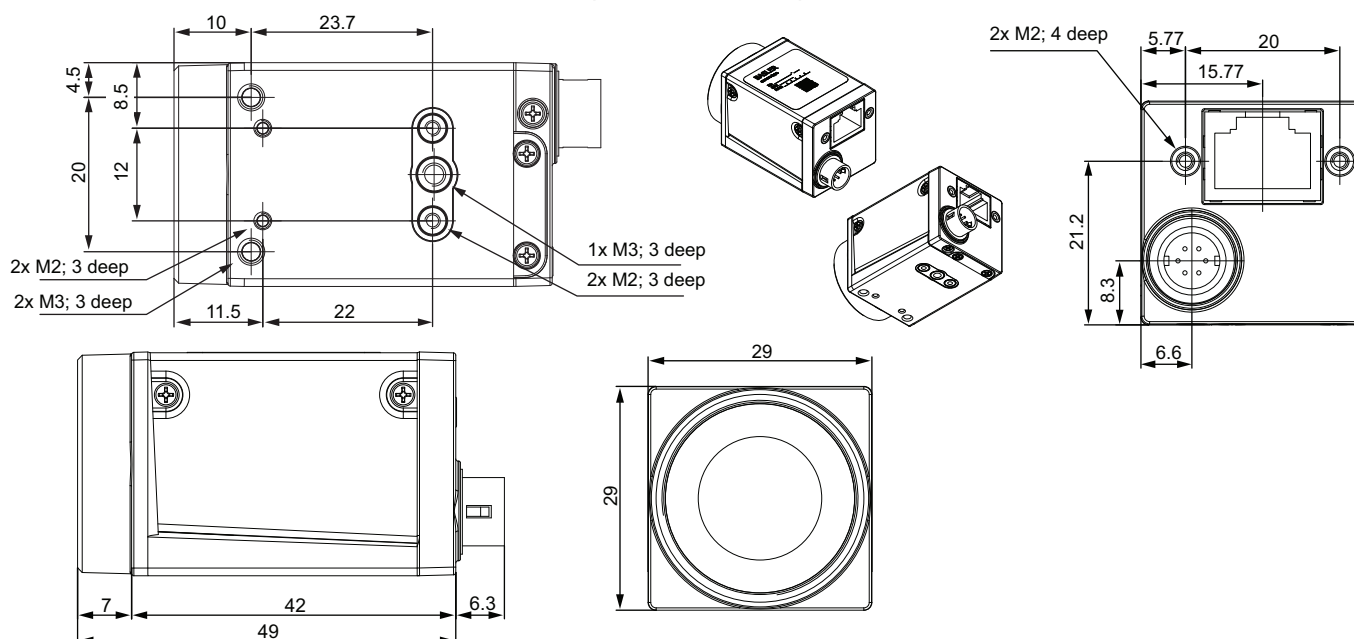


Basler Models

(C Mount Models)



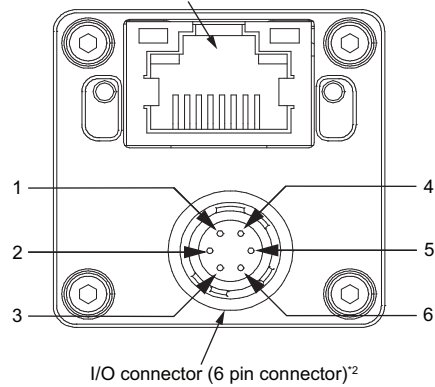
(CS Mount Models)



Camera Connections

Sentech Connections

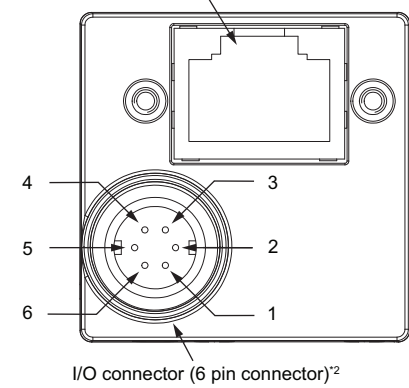
Ethernet connector (RJ-45 connector)¹



Pin	Description
1	Power IN (+10.8 to +26.4 VDC)
2	Opto isolated IN (Line 0)
3	Open Collector GPIO (Line 2)
4	Opto isolated OUT (Line 1) Open Collector
5	Opto isolated Common
6	Ground

Basler Connections

Ethernet connector (RJ-45 connector)¹



Pin	Description
1	Camera Power (+12 VDC)
2	Opto IN 1
3	No Connection
4	Opto OUT 1
5	Opto I/O Ground
6	Camera Power (0 VDC)

*1 Supply power to the camera via Power over Ethernet (PoE) or with a power supply and I/O cable. A PoE NIC or Ethernet switch is needed to supply power via PoE.

*2 Connect all cables according to the specifications prescribed in the camera's documentation.

Related Manuals

Document Number	Manual Title	Description
I667	Robot Vision Manager User's Manual	Provides information necessary for understanding the integration of cameras and V+ programs.
I633	Automation Control Environment (ACE) Version 4 User's Manual	Instruction for the use of the ACE Version 4 software.
I679	Automation Control Environment (ACE) Version 4 Camera Configuration User's Manual	Provides information on configuring cameras for use with the ACE software.
ST101	Sentech Product Specifications and User's Guide	Provides product information and specifications and part numbers for Sentech cameras.

NOTE: Refer to the Basler website for Basler camera documentation.
 NOTE: Refer to the OMRON website for Sentech camera documentation.

Terms and Conditions Agreement

Read and understand this catalog.

Please read and understand this catalog before purchasing the products. Please consult your OMRON representative if you have any questions or comments.

Warranties.

- (a) Exclusive Warranty. Omron's exclusive warranty is that the Products will be free from defects in materials and workmanship for a period of twelve months from the date of sale by Omron (or such other period expressed in writing by Omron). Omron disclaims all other warranties, express or implied.
- (b) Limitations. OMRON MAKES NO WARRANTY OR REPRESENTATION, EXPRESS OR IMPLIED, ABOUT NON-INFRINGEMENT, MERCHANTABILITY OR FITNESS FOR A PARTICULAR PURPOSE OF THE PRODUCTS. BUYER ACKNOWLEDGES THAT IT ALONE HAS DETERMINED THAT THE PRODUCTS WILL SUITABLY MEET THE REQUIREMENTS OF THEIR INTENDED USE.

Omron further disclaims all warranties and responsibility of any type for claims or expenses based on infringement by the Products or otherwise of any intellectual property right. (c) Buyer Remedy. Omron's sole obligation hereunder shall be, at Omron's election, to (i) replace (in the form originally shipped with Buyer responsible for labor charges for removal or replacement thereof) the non-complying Product, (ii) repair the non-complying Product, or (iii) repay or credit Buyer an amount equal to the purchase price of the non-complying Product; provided that in no event shall Omron be responsible for warranty, repair, indemnity or any other claims or expenses regarding the Products unless Omron's analysis confirms that the Products were properly handled, stored, installed and maintained and not subject to contamination, abuse, misuse or inappropriate modification. Return of any Products by Buyer must be approved in writing by Omron before shipment. Omron Companies shall not be liable for the suitability or unsuitability or the results from the use of Products in combination with any electrical or electronic components, circuits, system assemblies or any other materials or substances or environments. Any advice, recommendations or information given orally or in writing, are not to be construed as an amendment or addition to the above warranty.

See <http://www.omron.com/global/> or contact your Omron representative for published information.

Limitation on Liability; Etc.

OMRON COMPANIES SHALL NOT BE LIABLE FOR SPECIAL, INDIRECT, INCIDENTAL, OR CONSEQUENTIAL DAMAGES, LOSS OF PROFITS OR PRODUCTION OR COMMERCIAL LOSS IN ANY WAY CONNECTED WITH THE PRODUCTS, WHETHER SUCH CLAIM IS BASED IN CONTRACT, WARRANTY, NEGLIGENCE OR STRICT LIABILITY.

Further, in no event shall liability of Omron Companies exceed the individual price of the Product on which liability is asserted.

Suitability of Use.

Omron Companies shall not be responsible for conformity with any standards, codes or regulations which apply to the combination of the Product in the Buyer's application or use of the Product. At Buyer's request, Omron will provide applicable third party certification documents identifying ratings and limitations of use which apply to the Product. This information by itself is not sufficient for a complete determination of the suitability of the Product in combination with the end product, machine, system, or other application or use. Buyer shall be solely responsible for determining appropriateness of the particular Product with respect to Buyer's application, product or system. Buyer shall take application responsibility in all cases.

NEVER USE THE PRODUCT FOR AN APPLICATION INVOLVING SERIOUS RISK TO LIFE OR PROPERTY OR IN LARGE QUANTITIES WITHOUT ENSURING THAT THE SYSTEM AS A WHOLE HAS BEEN DESIGNED TO ADDRESS THE RISKS, AND THAT THE OMRON PRODUCT(S) IS PROPERLY RATED AND INSTALLED FOR THE INTENDED USE WITHIN THE OVERALL EQUIPMENT OR SYSTEM.

Programmable Products.

Omron Companies shall not be responsible for the user's programming of a programmable Product, or any consequence thereof.

Performance Data.

Data presented in Omron Company websites, catalogs and other materials is provided as a guide for the user in determining suitability and does not constitute a warranty. It may represent the result of Omron's test conditions, and the user must correlate it to actual application requirements. Actual performance is subject to the Omron's Warranty and Limitations of Liability.

Change in Specifications.

Product specifications and accessories may be changed at any time based on improvements and other reasons. It is our practice to change part numbers when published ratings or features are changed, or when significant construction changes are made. However, some specifications of the Product may be changed without any notice. When in doubt, special part numbers may be assigned to fix or establish key specifications for your application. Please consult with your Omron's representative at any time to confirm actual specifications of purchased Product.

Errors and Omissions.

Information presented by Omron Companies has been checked and is believed to be accurate; however, no responsibility is assumed for clerical, typographical or proofreading errors or omissions.

Note: Do not use this document to operate the Unit.

OMRON Corporation Industrial Automation Company

Kyoto, JAPAN

Contact : www.ia.omron.com

Regional Headquarters

OMRON EUROPE B.V.

Wegalaan 67-69, 2132 JD Hoofddorp
The Netherlands
Tel: (31) 2356-81-300 Fax: (31) 2356-81-388

OMRON ASIA PACIFIC PTE. LTD.
438B Alexandra Road, #08-01/02 Alexandra
Technopark, Singapore 119968
Tel: (65) 6835-3011 Fax: (65) 6835-3011

OMRON ELECTRONICS LLC

2895 Greenspoint Parkway, Suite 200
Hoffman Estates, IL 60169 U.S.A.
Tel: (1) 847-843-7900 Fax: (1) 847-843-7787

OMRON ROBOTICS AND SAFETY TECHNOLOGIES, INC.

4225 Hacienda Drive, Pleasanton, CA 94588 U.S.A.
Tel: (1) 925-245-3400 Fax: (1) 925-960-0590

OMRON (CHINA) CO., LTD.

Room 2211, Bank of China Tower, 200 Yin Cheng Zhong Road,
PuDong New Area, Shanghai, 200120, China
Tel: (86) 21-6023-0333 Fax: (86) 21-5037-2388

Authorized Distributor:

©OMRON Corporation 2022-2024 All Rights Reserved.
In the interest of product improvement,
specifications are subject to change without notice.

CSM_1_2

Cat. No. I884-E-03 0924 (1122)

24358-000C