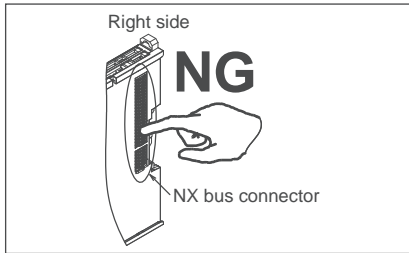
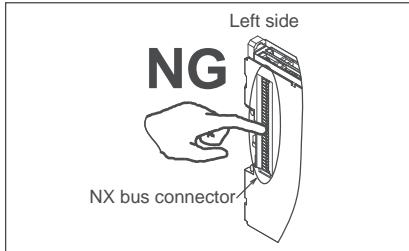



Do not touch the NX bus connector



3102117-5C

● **Definition of Precautionary Information**

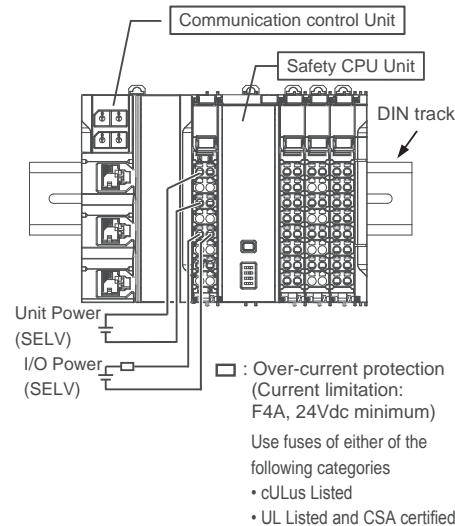
Caution  Indicates a potentially hazardous situation which, if not avoided, may result in minor or moderate injury, or property damage.

● **Environment**

Ambient Temperature: 0 to 55°C
 Humidity: 10% to 95% (with no condensation)
 Indoor use only
 Altitude: Max. 2,000 m
 Installation environment: Pollution Degree 2
 T code: T4A
 Terminal Temperature: 80°C

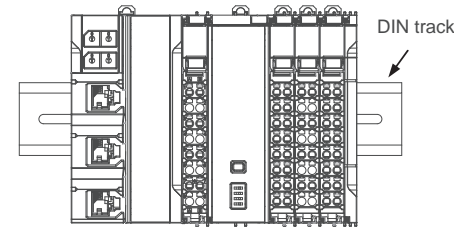
● **Current restrictions from power supply connector**

The external power supplies must be DC power supplies that satisfy the SELV requirements.



● **Direction for installation**

Vertical only.



● **Cleaning**

Do not use paint thinner or similar chemical to clean with. Use a dry cloth.

● **Cable** 

Please select the cable by which rated temperature is 80°C or above.

● **Enclosure type**

You must use this product in a control board.
 Enclosure type: Type 1 or more.

● **Marking**

 : Functional Earth Terminal

● **24-V DC power source**

The external power supplies must be DC power supplies that satisfy the SELV requirements.

NX-CSG320:
 Power consumption : 24V 0.79A
 NX UNIT Power OUTPUT: 10W, 5.8V
 I/O Power INPUT : 4A, 5-24V
 I/O Power OUTPUT: 4A, 5-24V

● **Power consumption**

NX-SL5□□□:
 NX UNIT Power consumption : 3.35W, 5.8V
 I/O Power INPUT : 8A max, 5-24V
 I/O Power OUTPUT : 8A max, 5-24V

Conformance to UL Standards and CSA Standards

● **Compliance with Class I Division 2 Hazardous Location:**

Input and output wiring must be in accordance with Class I, Div. 2 wiring methods and in accordance with the authority having jurisdiction.

1. This equipment is suitable for use in Class I, Div.2, Group A, B, C, D or Non-Hazardous Locations Only.
2. WARNING - EXPLOSION HAZARD - DO NOT DISCONNECT EQUIPMENT INPUT TERMINAL OR BUS CONNECTOR WHILE THE CIRCUIT IS LIVE OR UNLESS THE AREA IS KNOWN TO BE FREE OF IGNITABLE CONCENTRATIONS
3. This device is open-type and is required to be installed in an enclosure suitable for the environment and that can only be accessed with the use of a tool or key.

1. Cet équipement convient à l'utilisation dans des emplacements de Classe I, Division 2, Groupes A, B, C, D, ou ne convient qu'à l'utilisation dans des endroits non dangereux.
2. AVERTISSEMENT - RISQUE D'EXPLOSION - NE PAS DECONNECTER LA BORNE D'ENTREE DE L'EQUIPEMENT OU LE CONNECTEUR DE BUS PENDANT QUE LE CIRCUIT EST SOUS TENSION SAUF DANS LES EMPLACEMENTS EST DESIGNÉ LOIN DE LES INFLAMMABLE CONCENTRATIONS.
3. Ce dispositif est de type ouvert et doit être installé dans un coffret adapté à l'environnement et auquel on ne pourra accéder uniquement au moyen d'un outil ou d'une cle.

OMRON
NX series INSTRUCTION SHEET

© OMRON Corporation 2019 All Rights Reserved.

Precautions for Compliance with UL Standards, CSA Standards and EU Directives

Notice to Users of the NX series components in USA, Canada and Europe

This manual must be consulted in all cases in order to find out the nature of the potential HAZARDS and any actions which have to be taken to avoid them.

If the equipment is used in a manner not specified by the manufacturer, the protection provided by the equipment may be impaired.

● Applicable wire size for Unit power source and IO power source terminal

Current limitation	Type	Strip length	Conductor surface
4A max.	Solid/Strand	9mm	Plated

Do not use ferrule terminals. Insert the strand or solid wire directly into the holes on the terminal block.

Please select wire size suitable for rated current.

Wire size	Current (MAX)
AWG 24	2A
AWG 22	3A
AWG 20	5A

● Applicable wire size for IO terminal

Type	Wire size	Strip length
Solid/Strand	AWG 28-16	9mm

Do not use ferrule terminals. Insert the strand or solid wire directly into the holes on the terminal block.

Conformance to EU Directives

This product is EMC-compliant when assembled in PLC system or Machine Automation Controller. To ensure the EU Directive conformance of customer's machinery or equipment in which the product is incorporated, be sure to observe the following precautions.

1. This product is defined as an in-panel device and must be installed within a control panel.
2. This product complies with the common emission standard (EN61131-2, EN61000-6-4) with regard to EMI. For the radiated emission requirement (10-m regulations), in particular, please note that the actual emission varies depending on the configuration of the control panel to be used, the connected devices, and wiring methods. Therefore, the customer must confirm the EU Directive conformance of the overall machinery or equipment by themselves, even if this EU conforming product is used.

This is a class A product. In residential areas it may cause radio interference, in which case the user may be required to take adequate measures to reduce interference. We have confirmed that this product conforms to EMC standards with OMRON S8VK-S series Power Supplies.

Conformance to KC Standards

● 사 용 자 안 내 문
이 기기는 업무용 환경에서 사용할 목적으로 적합성평가를 받은 기기로서 가정용 환경에서 사용하는 경우 전파간섭의 우려가 있습니다.

OMRON

OMRON Corporation
Control Devices Division H.Q.
Shiokoji Horikawa, Shimogyo-ku, Kyoto, 600-8530
Japan
Tel: (81)75-344-7109
Fax: (81)75-344-7149

Regional Headquarters
OMRON EUROPE B.V.
Wegalaan 67-69, 2132 JD Hoofddorp
The Netherlands
Tel: (31)2356-81-300
Fax: (31)2356-81-388

OMRON ELECTRONICS LLC
2895 Greenspoint Parkway, Suite 200 Hoffman
Estates, IL 60169 U.S.A.
Tel: (1) 847-843-7900
Fax: (1) 847-843-7787

OMRON ASIA PACIFIC PTE. LTD.
No. 438A Alexandra Road # 05-05/08 (Lobby 2),
Alexandra Technopark, Singapore 119967
Tel: (65)6835-3011
Fax: (65)6835-2711

OMRON (CHINA) CO., LTD.
Room 2211, Bank of China Tower, 200 Yin Cheng
Zhong Road, PuDong New Area, Shanghai, 200120
China
Tel: (86)21-5037-2222
Fax: (86)21-5037-2200

Note: Specifications are subject to change without notice.

Printed in China